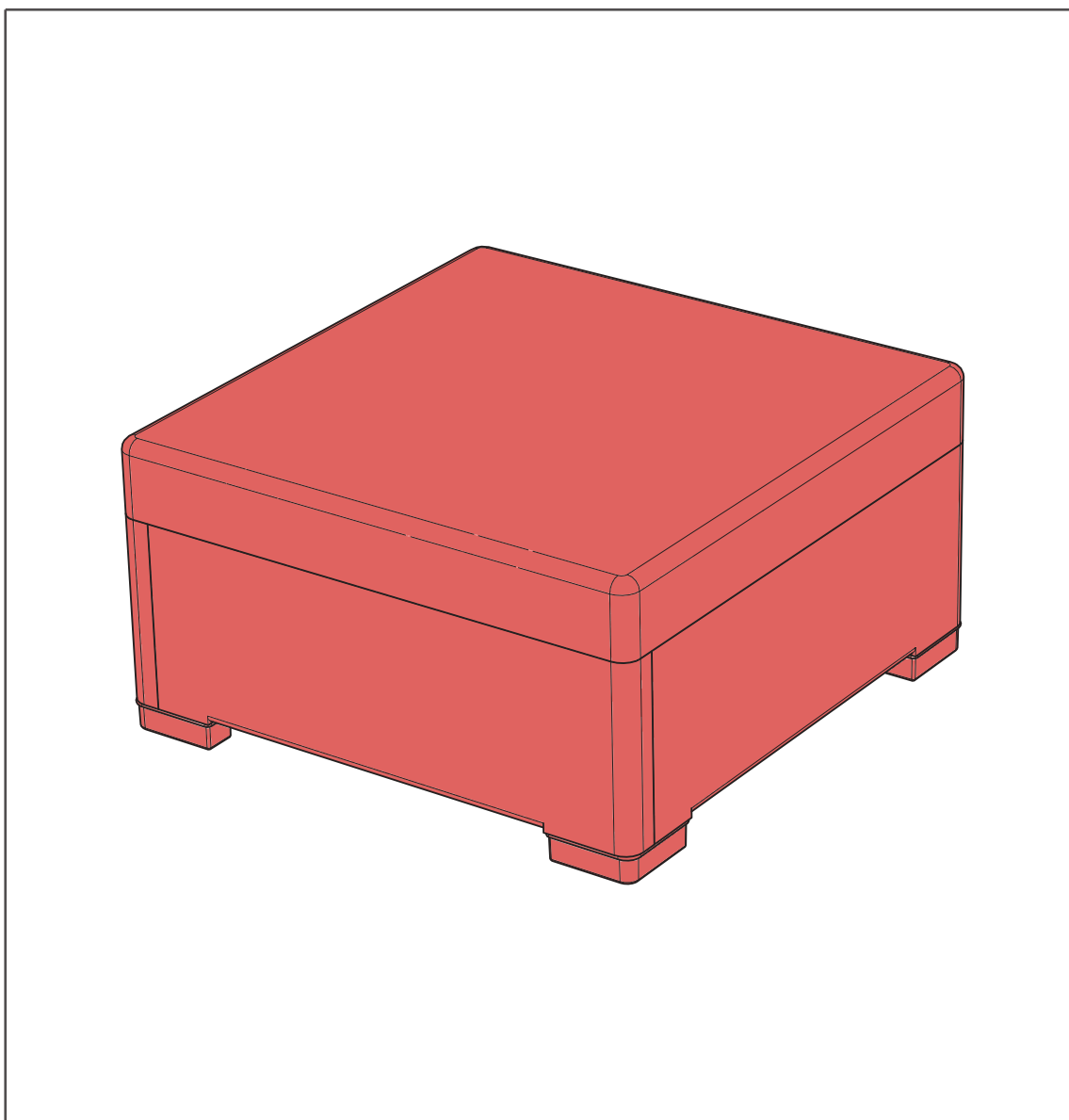


# CALIFORNIA

---

## TABLE



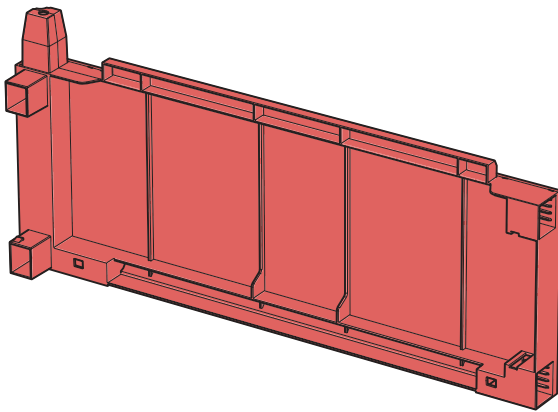
"CALIFORNIA TABLE" V3.1 / 548244 / 442036

**ALLIBERT** 

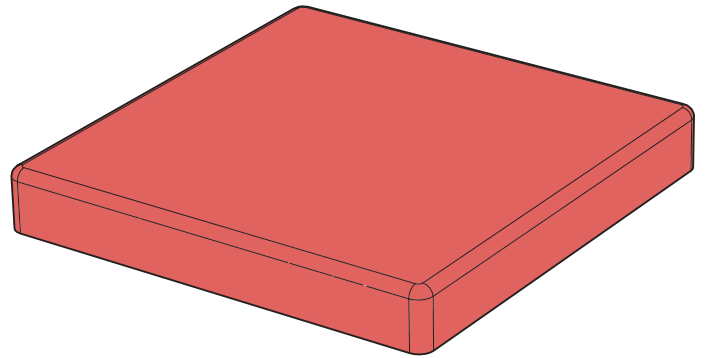
Ericssonstraat 17 | 5121 MK RIJEN | The Netherlands | [WWW.ALLIBERT-OUTDOOR.COM](http://WWW.ALLIBERT-OUTDOOR.COM)



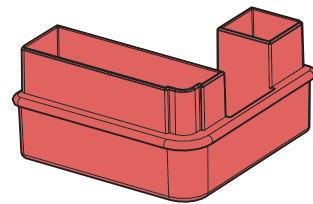
NEN 581



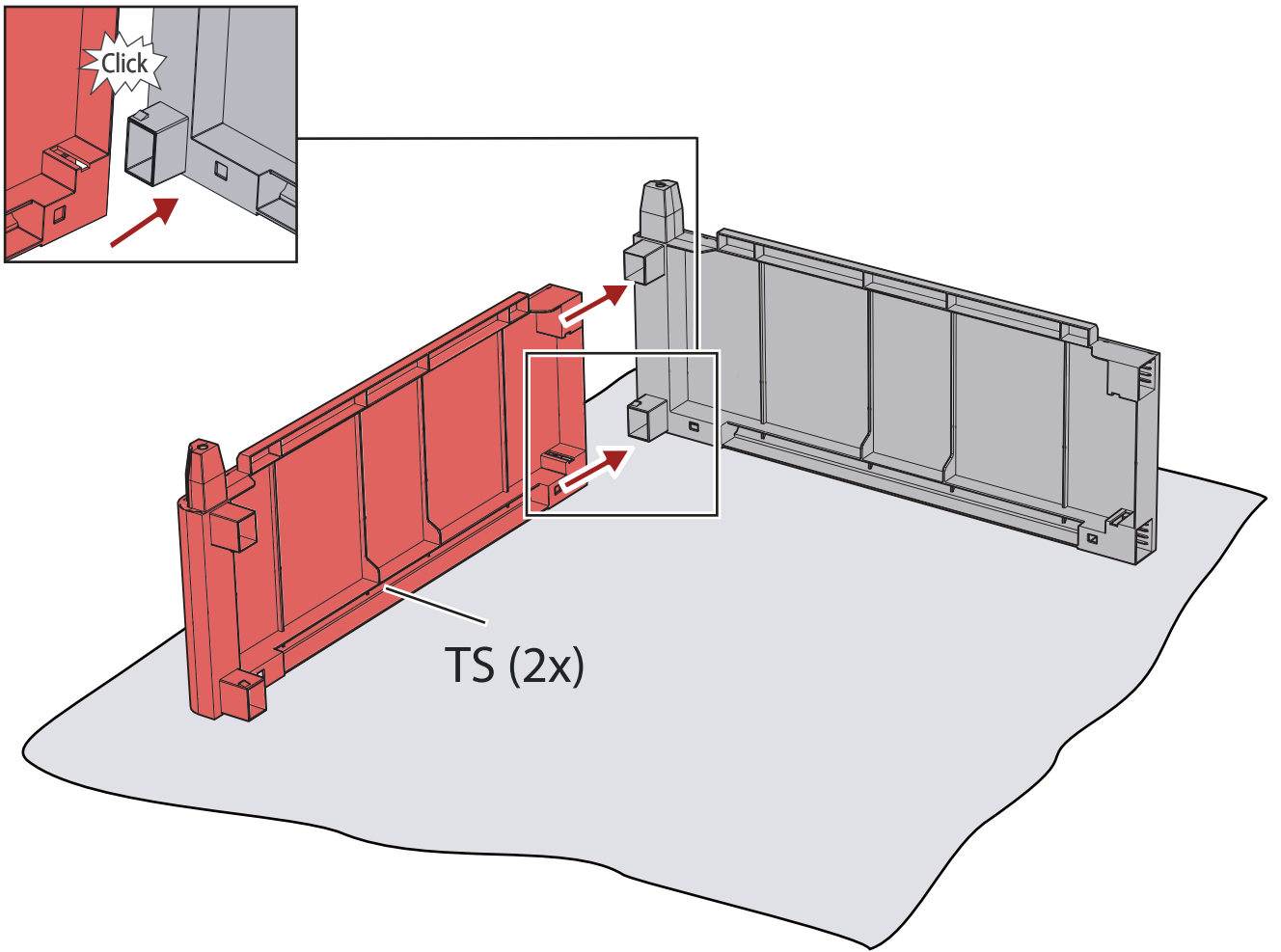
TS (4x)



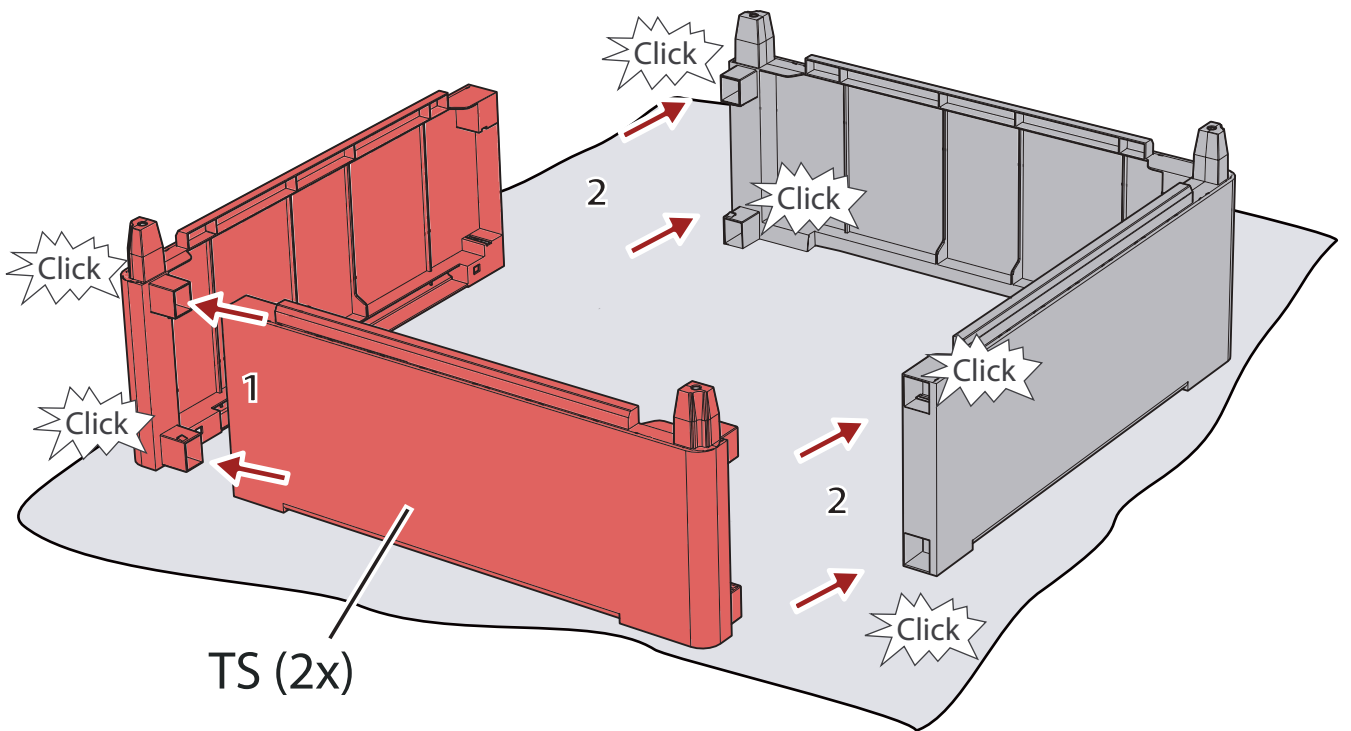
TT (1x)



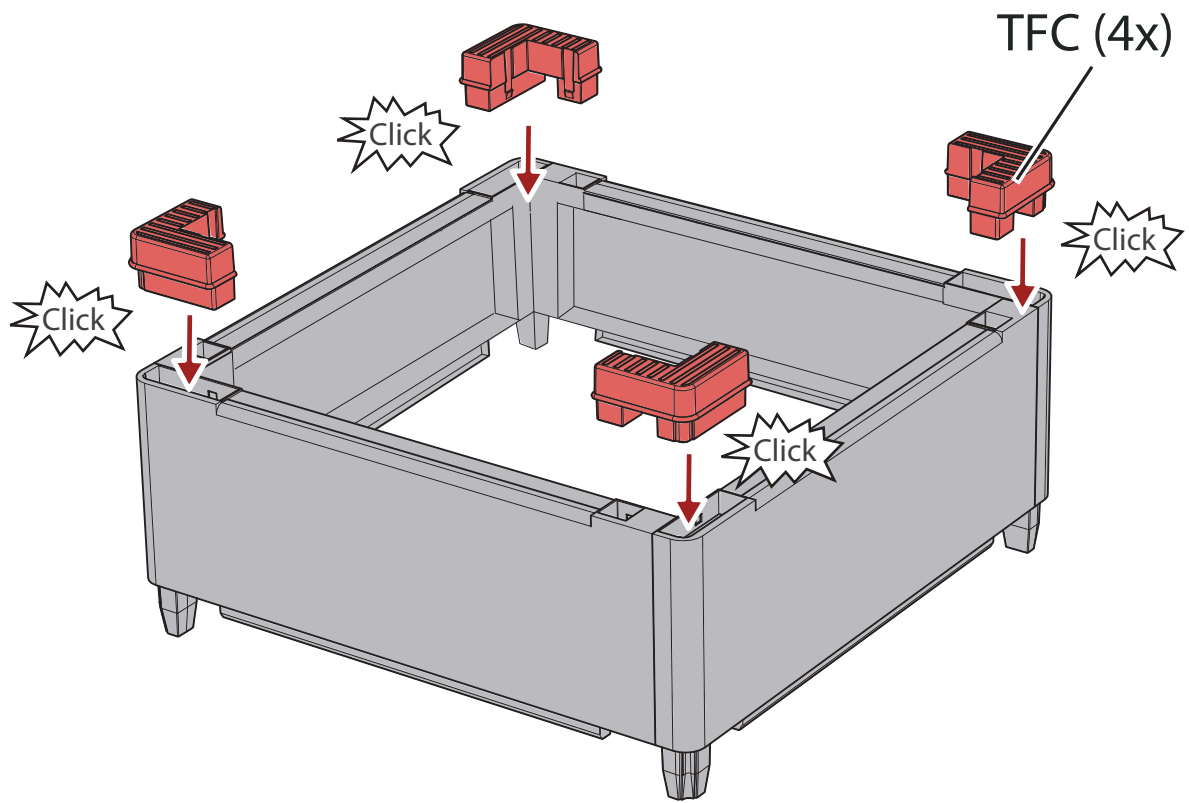
TFC (4x)



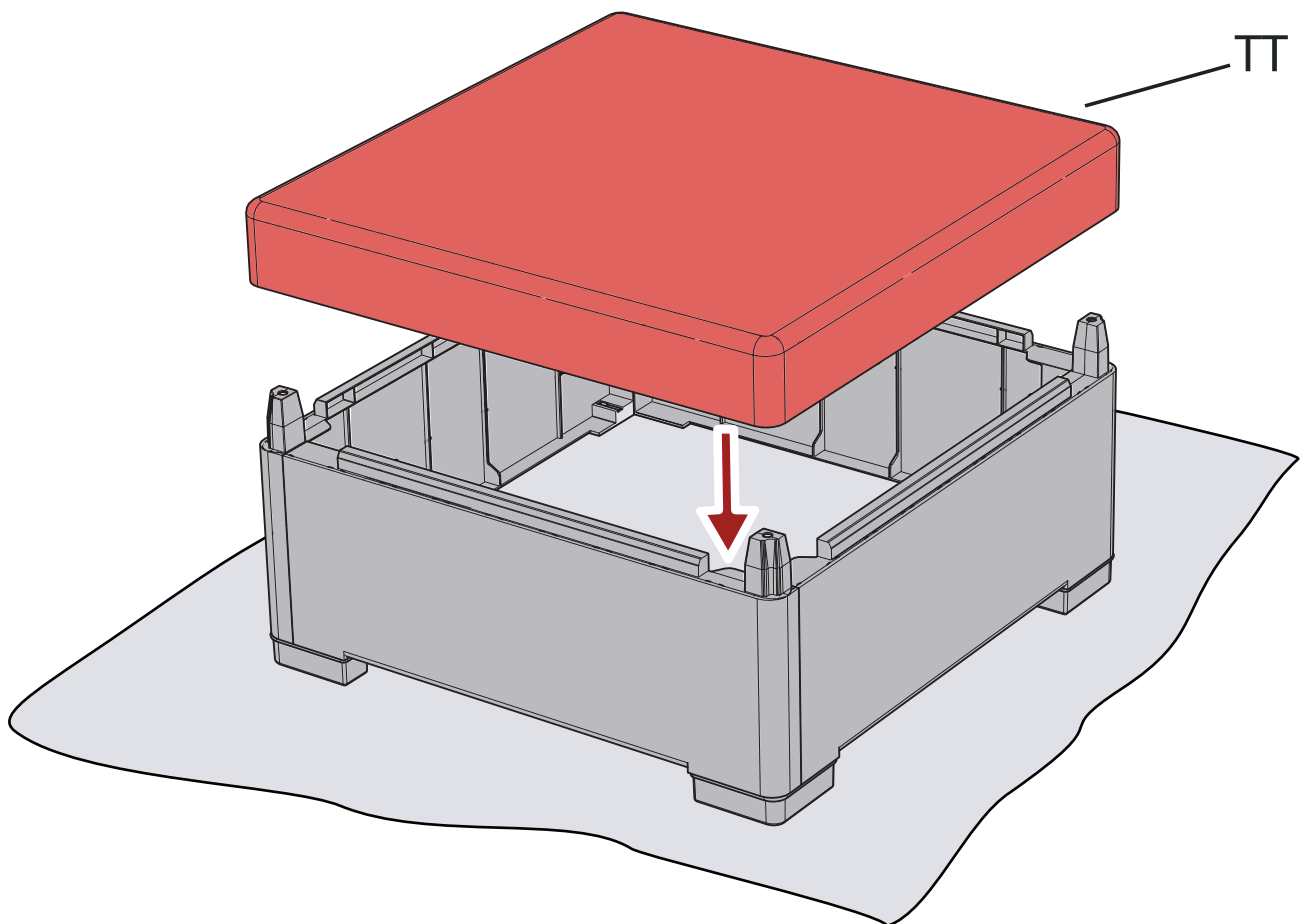
1



2



3



4

